



Blank Metallbau-Technik

| since 1964



Product catalogue

AI ClipTec Aluminum profiles



Blank Metallbau-Technik GmbH

The **Blank Metallbau-Technik GmbH** is one of the leading providers of protective grid systems.

Based in Holzgerlingen, the Blank Metallbau-Technik GmbH has been active in the **steel, metal, and aluminum construction** and **worldwide installation** as a medium-sized company since 1964.

We specialize in the production of **custom-made protective grid systems** made of aluminum and steel, as well as **system components** such as **robot bases, loading stations, turntables, system installation, gates, doors**, and much more. From our wide range of Materials, we manufacture protective grid systems made of aluminum or steel. Here, we can draw on a **variety of standard components** or manufacture according to **individual customer requests**.

We plan, design, and manufacture your projects with **final on-site installation** worldwide. Of course, we also supply only the product elements that are needed.

Our expertise lies in the fields of design and production of:

- **Capture and surface protection**
- **Protective grid systems**
- **Stairs/ladders**
- **Doors and gates**
- **Pedestrian walkways and platforms**
- **Storage technology/high-bay warehouses.**

S1 Series Protective grille profiles	Page 5
Frame profile S1 3030 N8	5
Frame profile S1 3040 N8	5
Frame profile S1 4545 N10	6
Post profile S1 4590 N10	6
S3 Series Protective grille profiles	7
Frame profile S3 4040	7
Frame profile S3 8060	8
Middle profile S3 6040 – consists of Clip profile S3 6019 und Frame profile S3 6033	8
I-type Series Protective grille profiles	9
Slot 5	9
Aluminum profile 2010	9
Aluminum profile 2020	9
Aluminum profile 2040	10
Slot 8	11
Aluminum profile 4016	11
Aluminum profile 4040	11
Aluminum profile 4040 Super lightweight	12
Aluminum profile 4080	12
Aluminum profile 4080 Super lightweight	13
Aluminum profile 8016 Super lightweight	13
Aluminum profile 8080	14
Aluminum profile 80120	14
B-type Series Protective grille profiles	15
Slot 8	15
Aluminum profile 3030	15
Aluminum profile 3060	15
Solar profiles	16
Solar Aluminum profile BN 4040 N8 und N10	16
Solar Aluminum profile BV 4040 N8 und N10	16
Fastener and accessories	17
Fastener and accessories	18
Contact details	19

Al ClipTec Aluminum profiles S1

AlClipTec S1 3030 N8

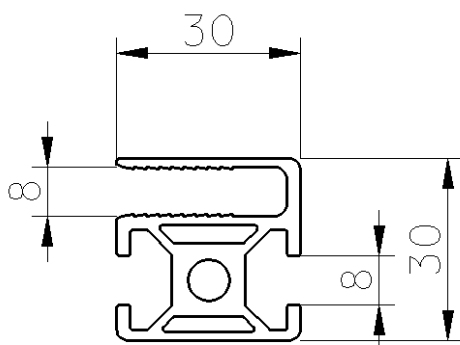


Technical data:

Moment of inertia	I_x	:	2,35 cm ⁴
Moment of inertia	I_y	:	2,98 cm ⁴
Resistive torque	W_x	:	1,13 cm ³
Resistive torque	W_y	:	1,52 cm ³

Material	:	Al Mg Si 0.5 F22
Weight G	:	0,83 kg/m
Area A	:	3,10 cm ²
Delivery length	:	6810 mm

Cross section:



AlClipTec S1 3040 N8

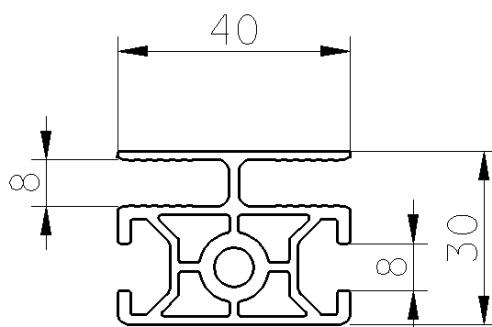


Technical data:

Moment of inertia	I_x	:	5,04 cm ⁴
Moment of inertia	I_y	:	3,70 cm ⁴
Resistive torque	W_x	:	2,52 cm ³
Resistive torque	W_y	:	2,31 cm ³

Material	:	Al Mg Si 0.5 F22
Weight G	:	1,10 kg/m
Area A	:	4,08 cm ²
Delivery length	:	6550 mm

Cross section:



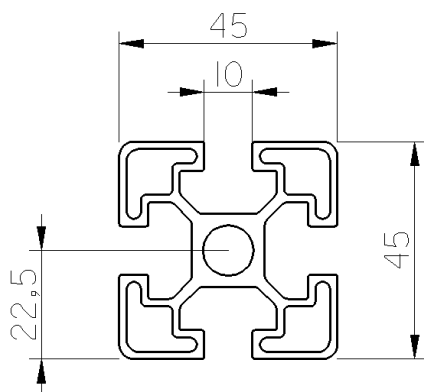
AlClipTec S1 4545 N10



Technical data:

Moment of inertia	lx :	10,73 cm ⁴
Moment of inertia	ly :	10,75 cm ⁴
Resistive torque	Wx :	4,74 cm ³
Resistive torque	Wy :	4,74 cm ³
Material	:	Al Mg Si 0.5 F22
Weight G	:	1,55 kg/m
Area A	:	5,75 cm ²
Delivery length	:	6150 mm

Cross section:



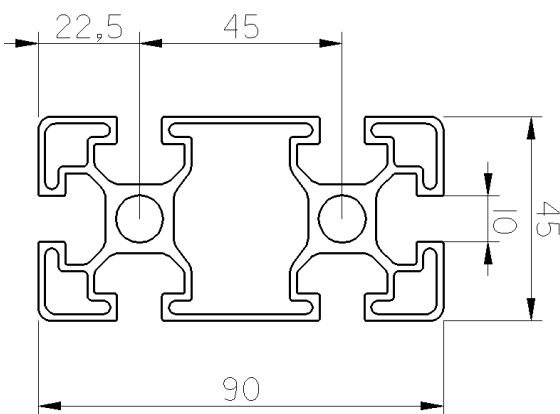
AlClipTec S1 4590 N10



Technical data:

Moment of inertia	lx :	19,07 cm ⁴
Moment of inertia	ly :	79,35 cm ⁴
Resistive torque	Wx :	8,47 cm ³
Resistive torque	Wy :	17,63 cm ³
Material	:	Al Mg Si 0.5 F22
Weight G	:	2,60 kg/m
Area A	:	9,65 cm ²
Delivery length	:	6770 mm

Cross section:



AlClipTec Aluminum profiles S3

AlClipTec S3 8060

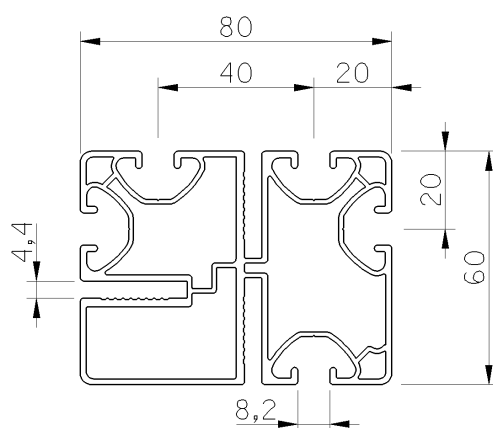


Technical data:

Moment of inertia	I_x	:	37,61 cm ⁴
Moment of inertia	I_y	:	61,33 cm ⁴
Resistive torque	W_x	:	11,51 cm ³
Resistive torque	W_y	:	14,73 cm ³

Material	:	Al Mg Si 0.5 F22
Weight G	:	2,60 kg/m
Area A	:	96,47 cm ²
Delivery length	:	6050 mm

Cross section:



AlClipTec S3 4040

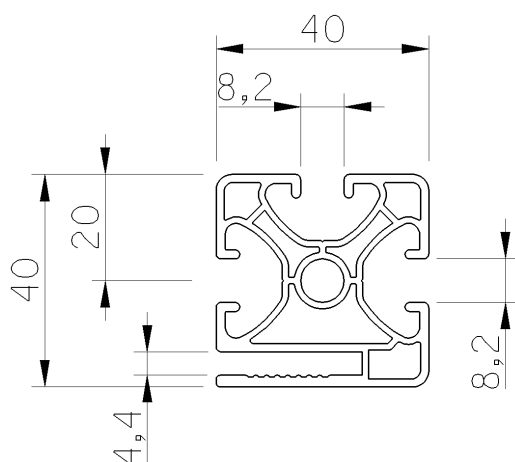


Technical data:

Moment of inertia	I_x	:	8,16 cm ⁴
Moment of inertia	I_y	:	7,45 cm ⁴
Resistive torque	W_x	:	8,47 cm ³
Resistive torque	W_y	:	3,62 cm ³

Material	:	Al Mg Si 0.5 F22
Weight G	:	1,27 kg/m
Area A	:	47,10 cm ²
Delivery length	:	6050 mm

Cross section:



AlClipTec S3 6040



Consists of S3 6033 und S3 601

AlClipTec S3 6033

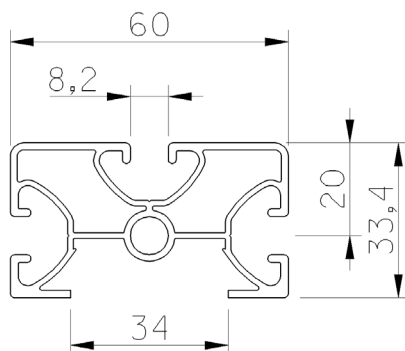


Technical data:

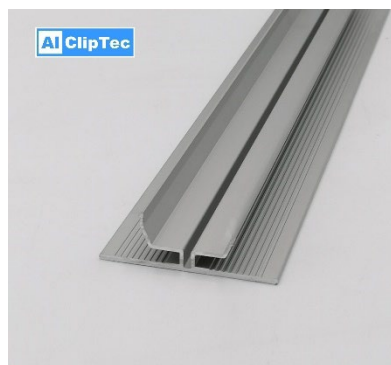
Moment of inertia	I_x	:	5,02 cm ⁴
Moment of inertia	I_y	:	17,02 cm ⁴
Resistive torque	W_x	:	2,80 cm ³
Resistive torque	W_y	:	5,68 cm ³

Material	:	Al Mg Si 0.5 F22
Weight G	:	1,14 kg/m
Area A	:	42,08 cm ²
Delivery length	:	6050 mm

Cross section:



AlClipTec S3 6019

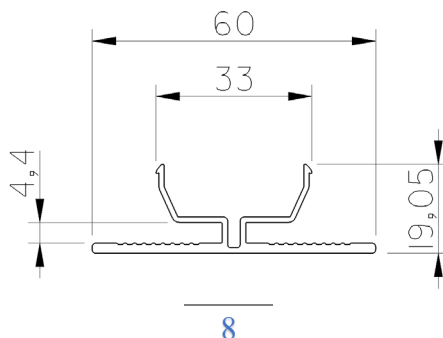


Technical data:

Moment of inertia	I_x	:	0,40 cm ⁴
Moment of inertia	I_y	:	4,44 cm ⁴
Resistive torque	W_x	:	0,26 cm ³
Resistive torque	W_y	:	1,48 cm ³

Material	:	Al Mg Si 0.5 F22
Weight G	:	0,50 kg/m
Area A	:	18,61 cm ²
Delivery length	:	6050 mm

Cross section:



AlClipTec 2010 N5

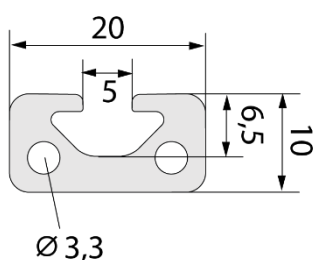


Technical data:

Moment of inertia	I_x	:	0,12 cm ⁴
Moment of inertia	I_y	:	0,53 cm ⁴
Resistive torque	W_x	:	0,22 cm ³
Resistive torque	W_y	:	0,53 cm ³

Material	:	Al Mg Si 0.5 F22
Weight G	:	0,35 kg/m
Area A	:	1,29 cm ²
Delivery length	:	6000 mm

Cross section:



AlClipTec 2020 N5

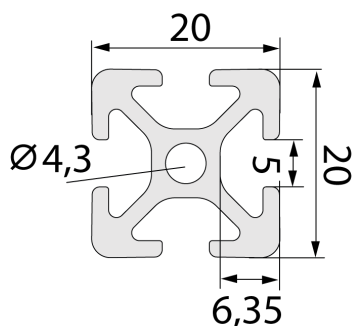


Technical data:

Moment of inertia	I_x	:	0,72 cm ⁴
Moment of inertia	I_y	:	0,72 cm ⁴
Resistive torque	W_x	:	0,72 cm ³
Resistive torque	W_y	:	0,72 cm ³

Material	:	Al Mg Si 0.5 F22
Weight G	:	0,48 kg/m
Area A	:	1,8 cm ²
Delivery length	:	6000 mm

Cross section:



AlClipTec 2040 N5

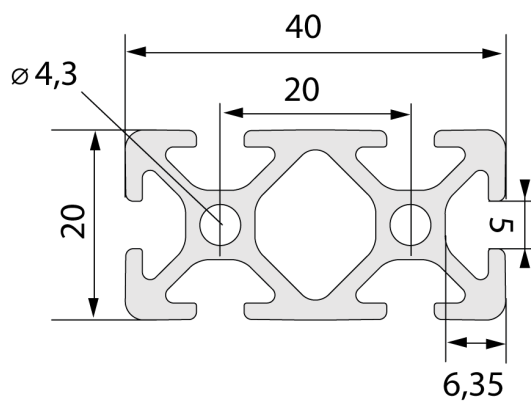


Technical data:

Moment of inertia	I_x	:	1,41 cm ⁴
Moment of inertia	I_y	:	5,14 cm ⁴
Resistive torque	W_x	:	1,41 cm ³
Resistive torque	W_y	:	2,57 cm ³

Material	:	Al Mg Si 0.5 F22
Weight G	:	0,89 kg/m
Area A	:	3,32 cm ²
Delivery length	:	6000 mm

Cross section:



AlClipTec 4016 N8 super lightweight

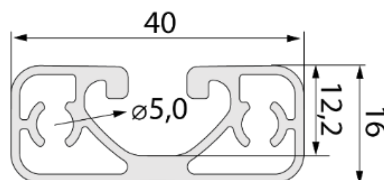


Technical data:

Moment of inertia	lx :	0,64 cm ⁴
Moment of inertia	ly :	3,34 cm ⁴
Resistive torque	Wx :	0,78 cm ³
Resistive torque	Wy :	1,67 cm ³

Material	:	Al Mg Si 0.5 F22
Weight G	:	0,60 kg/m
Area A	:	2,24 cm ²
Delivery length	:	6000 mm

Cross section:



AlClipTec 4040 N8

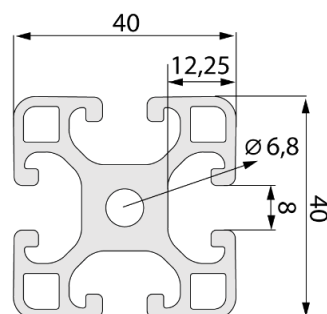


Technical data:

Moment of inertia	lx :	9,00 cm ⁴
Moment of inertia	ly :	9,00 cm ⁴
Resistive torque	Wx :	4,50 cm ³
Resistive torque	Wy :	4,50 cm ³

Material	:	Al Mg Si 0.5 F22
Weight G	:	1,74 kg/m
Area A	:	6,46 cm ²
Delivery length	:	6000 mm

Cross section:



AlClipTec 4040 N8 super lightweight

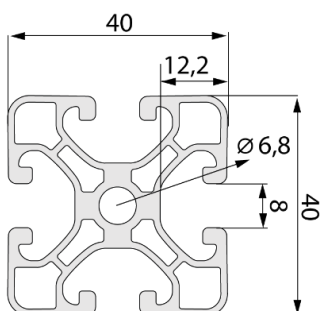


Technical data:

Moment of inertia	I_x	:	7,38 cm ⁴
Moment of inertia	I_y	:	7,38 cm ⁴
Resistive torque	W_x	:	3,69 cm ³
Resistive torque	W_y	:	3,69 cm ³

Material	:	Al Mg Si 0.5 F22
Weight G	:	1,37 kg/m
Area A	:	5,07 cm ²
Delivery length	:	6000 mm

Cross section:



AlClipTec 4080 N8

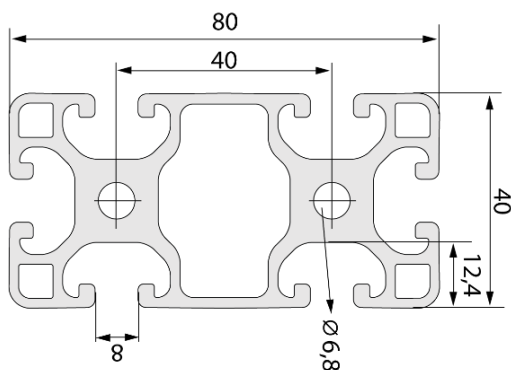


Technical data:

Moment of inertia	I_x	:	16,6 cm ⁴
Moment of inertia	I_y	:	69,54 cm ⁴
Resistive torque	W_x	:	8,3 cm ³
Resistive torque	W_y	:	17,38 cm ³

Material	:	Al Mg Si 0.5 F22
Weight G	:	3,04 kg/m
Area A	:	11,38 cm ²
Delivery length	:	6000 mm

Cross section:



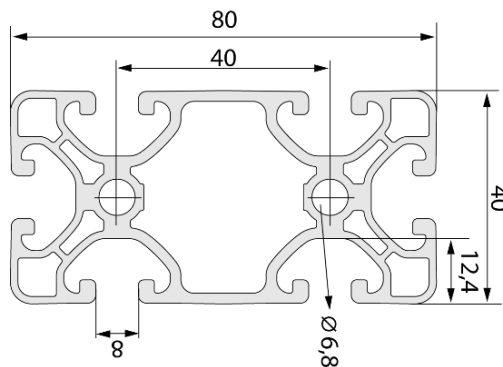
AlClipTec 4080 N8 super lightweight



Technical data:

Moment of inertia	I_x	:	15,15 cm ⁴
Moment of inertia	I_y	:	57,81 cm ⁴
Resistive torque	W_x	:	7,58 cm ³
Resistive torque	W_y	:	14,45 cm ³
Material		:	Al Mg Si 0.5 F22
Weight G		:	2,42 kg/m
Area A		:	9,93 cm ²
Delivery length		:	6000 mm

Cross section:



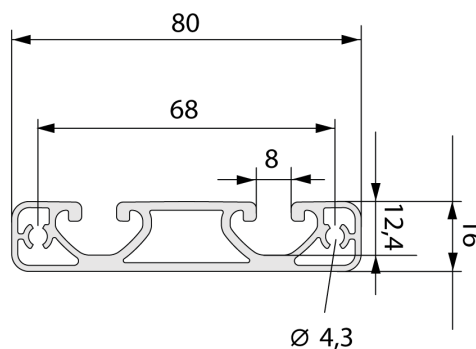
AlClipTec 8016 N8 super lightweight



Technical data:

Moment of inertia	I_x	:	1,49 cm ⁴
Moment of inertia	I_y	:	26,80 cm ⁴
Resistive torque	W_x	:	1,78 cm ³
Resistive torque	W_y	:	6,70 cm ³
Material		:	Al Mg Si 0.5 F22
Weight G		:	1,31 kg/m
Area A		:	4,86 cm ²
Delivery length		:	6000 mm

Cross section:



AlClipTec 8080 N8

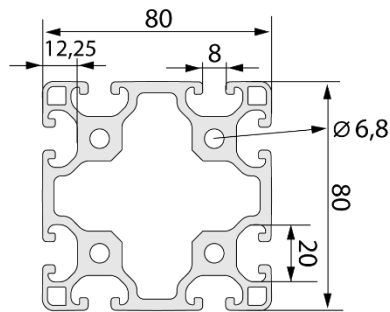


Technical data:

Moment of inertia	I_x	:	132,82 cm ⁴
Moment of inertia	I_y	:	132,82 cm ⁴
Resistive torque	W_x	:	33,20 cm ³
Resistive torque	W_y	:	33,20 cm ³

Material	:	Al Mg Si 0.5 F22
Weight G	:	5,23 kg/m
Area A	:	19,37 cm ²
Delivery length	:	6000 mm

Cross section:



AlClipTec 80120 N8

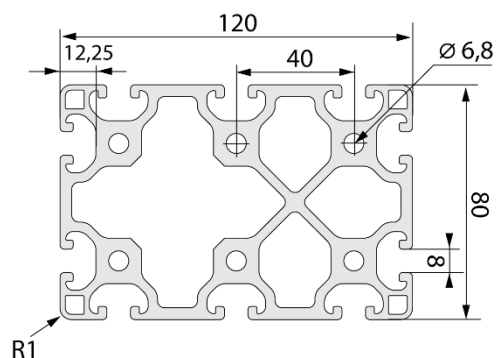


Technical data:

Moment of inertia	I_x	:	201,89 cm ⁴
Moment of inertia	I_y	:	421,67 cm ⁴
Resistive torque	W_x	:	50,47 cm ³
Resistive torque	W_y	:	68,34 cm ³

Material	:	Al Mg Si 0.5 F22
Weight G	:	8,13 kg/m
Area A	:	30,13 cm ²
Delivery length	:	6000 mm

Cross section:



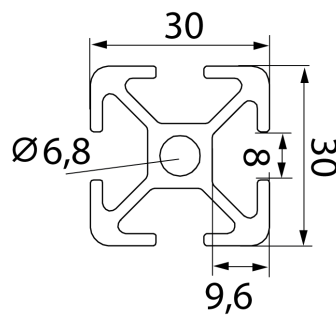
AlClipTec 3030 N8



Technical data:

Moment of inertia	I_x	:	3,13 cm ⁴
Moment of inertia	I_y	:	3,13 cm ⁴
Resistive torque	W_x	:	2,09 cm ³
Resistive torque	W_y	:	2,09 cm ³
Material		:	Al Mg Si 0.5 F22
Weight G		:	0,898 kg/m
Area A		:	3,31 cm ²
Delivery length		:	6030 mm

Cross section:



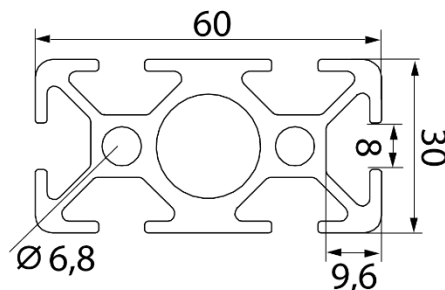
AlClipTec 3060 N8



Technical data:

Moment of inertia	I_x	:	6,45 cm ⁴
Moment of inertia	I_y	:	21,41 cm ⁴
Resistive torque	W_x	:	4,29 cm ³
Resistive torque	W_y	:	7,13 cm ³
Material		:	Al Mg Si 0.5 F22
Weight G		:	1,84 kg/m
Area A		:	6,78 cm ²
Delivery length		:	6030 mm

Cross section:



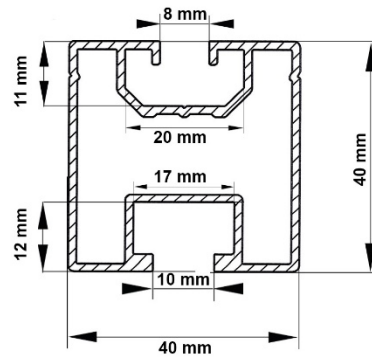
AIClipTec 4040 N8 und N10 Solar BN



Technical data:

Material	:	Al Mg Si 0.5 F22
Performance	:	mill finish
Weight	:	0,92 kg/m
Delivery length	:	6090 mm

Cross section:



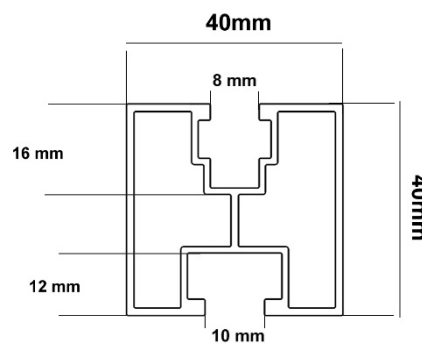
AIClipTec 4040 N8 und N10 Solar BV



Technical Data:

Material	:	Al Mg Si 0.5 F22
Performance	:	mill finish
Weight	:	0,90 kg/m
Delivery length	:	6090 mm

Cross section:



An overview of our range:

Cover and end caps, end profiles



slot nuts and hammer nuts



Profile connectors, milling connectors and automatic connectors



Angle connectors, cube connectors and corner connectors



AI ClipTec Fastener and accessories

An overview of our range:

Section connectors, uniblock and gusset plates



Joints, hinges and profile gliders



Grab trays, handles, adjustable feet and castors





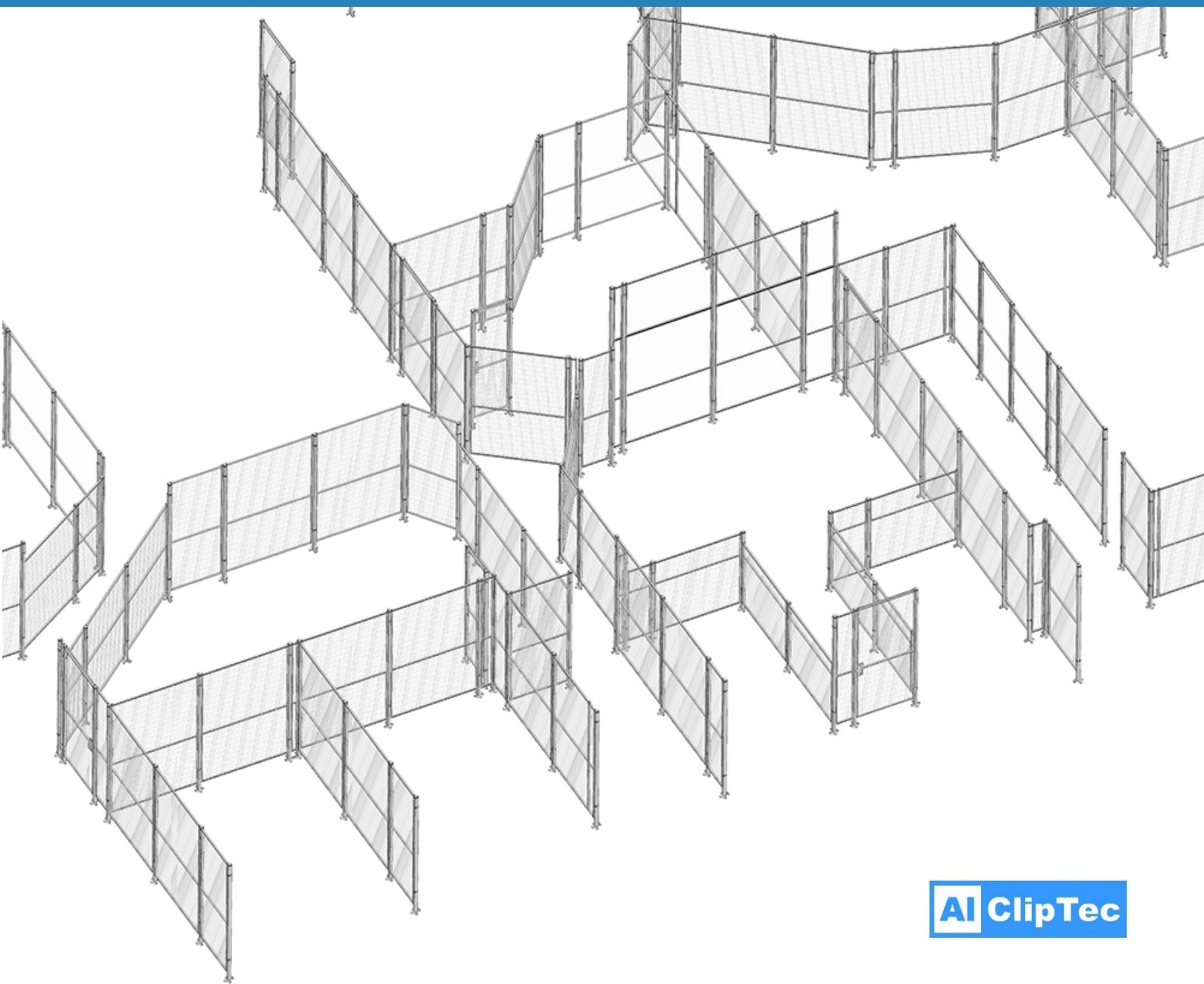
Blank Metallbau Technik

+49 7031 73446-0

info@blank-mt.com



Contact details



Blank Metallbau-Technik GmbH

Max-Eyth-Str. 7-9
71088 Holzgerlingen
Germany

Fon: +49 7031 73446-0
Fax: +49 7031 73446-79
E-Mail: info@blank-mt.com
Web: www.blank-mt.com



Blank Metallbau-Technik

